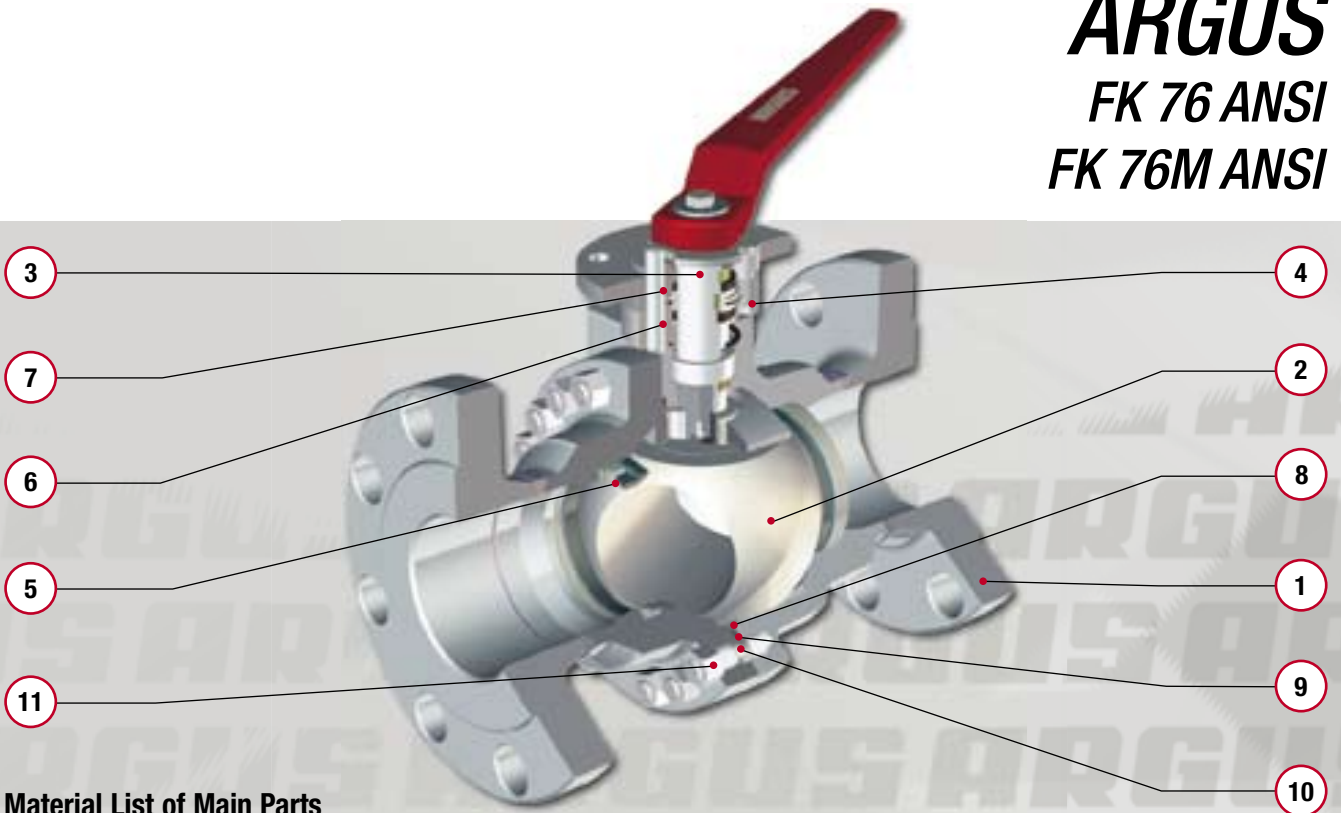


ARGUS

FK 76 ANSI
FK 76M ANSI



Material List of Main Parts

Item	Description	Material Specification	Nearest Typical ASTM-Equivalent
1	Body / Flange	CS Low Temp. 1.0566 CS Low Temp. A350 LF2 (ASTM) SS 1.4571 SS 1.4581	A350 LF2 A182 F316Ti
2	Ball	CS LowTemp. 1.0566 (>DN 200) CR13 1.4027 SS 1.4408 SS / CR13 / Duplex hardfaced	A350 LF 2 A217 Gr. CA15 A351 CF8M
3	Stem	CR13 1.4104 Duplex SS 17-4 PH	Type 430 A182 F51
4	Gland Bolts	5.6 A4-70	
5	Ball Seats	PTFE; POM; Lyton CR13 / Duplex; SS hardfaced	
6	Primary Stem Seal	PTFE; FPM; FVMQ	
7	Secondary Stem Seal	Celastic	
8	Primary Body Seal	PTFE; FPM; FVMQ	
9	Secondary Body Seal	Celastic	
10	Bolts	A193 B7 (ASTM) A193 B8MN (ASTM)	
11	Nuts	A194 Gr.4 (ASTM) A194 8M (ASTM)	



ARGUS FK 76 / FK 76M

DN 65-400 ANSI Cl. 150, 300, 600 Full Bore
DN 80-600 ANSI Cl. 150, 300, 600 Reduced Bore

Description:

The FK 76M ball valve with its many innovative design features represents the highest standard in valve technology and is designed to meet the API6D, ANSI B16.34 and BS5351 requirements. Long lifetime and low operating torques due to the clear separation of the sealing and bearing functions, on both stem and ball.

Design:

Split body design with superfine finished trunnion mounted ball, anti-blow-out stem, spring loaded ball seats, cavity relief and anti-static device. Long life double stem seal system and stem supported in bearings to ensure seals are free from operating loads. Stem sealing construction complies with the latest TA-Luft and EPA (method 21, EN ISO 10497 LBS 6755) fugitive emissions requirements. Fire safe to EN ISO 10497 (BS 6755) und API 607.

DIN/ISO 5211 mounting plate for easy assembly with actuators included for up to DN 200, above please name your requirements.

Accessories and Options:

- Limit switches
- Locking devices
- Extended wrenches
- Stem extensions
- Steam jacket for indirect process heating
- Metal seats
- Drain and vent/bleed connections

Standard Material Combinations (preferably to order – short delivery time):

ANSI	Cl. 150-600 Mat.-Code 1805408552	Cl. 150-600 Mat.-Code 140540D552	Cl. 150-600 Mat.-Code 440540D552	Cl. 150-600 Mat.-Code 1ADADF552
Body	CS Low Temp.	CS Low Temp.	SS	CS Low Temp.
Ball/Stem	CR13*	SS/Duplex SS	SS/Duplex SS	Duplex SS hardfaced/Duplex SS
Ball Seats	PTFE (POM Cl. 600)	PTFE (POM Cl. 600)	PTFE (POM Cl. 600)	Duplex SS hardfaced
Stem Seals	PTFE/Celastic	PTFE/Celastic	PTFE/Celastic	PTFE/Celastic
Body Seals	PTFE/Celastic	PTFE/Celastic	PTFE/Celastic	PTFE/Celastic
Seat Springs	SS	SS	SS	SS

* DN 250-400 Ball CS-ENP

Flowserve Flow Control GmbH

Rudolf-Plank-Str.2, D-76275 Ettlingen
T: +49 (0)72 43/103-0 F: +49 (0)72 43/103-222
E-mail: argus@flowserve.com
www.flowserve.com

FCDAREBR 1114-02
Printed in Germany